
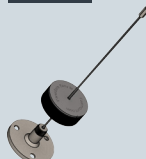

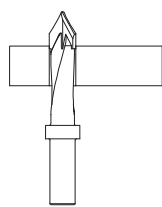
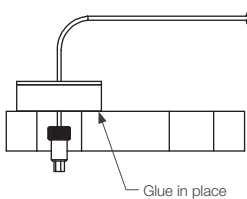
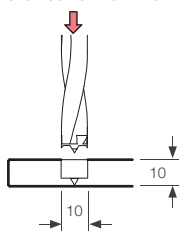
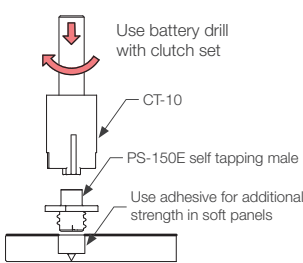
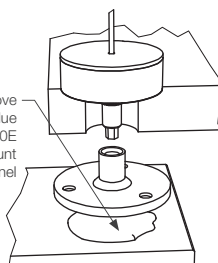
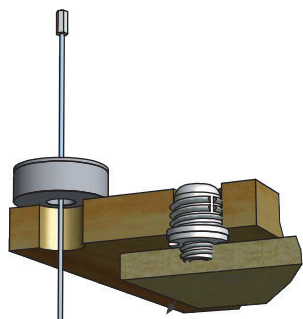
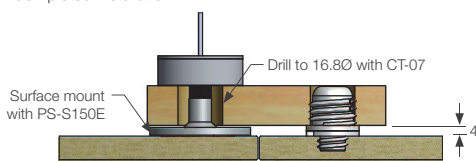
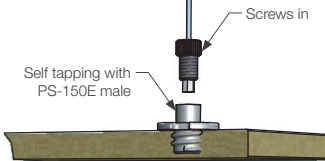


# PS-150E + PS-S150E PanelSafe Easy Fit Restraint System

(page 1 of 2)

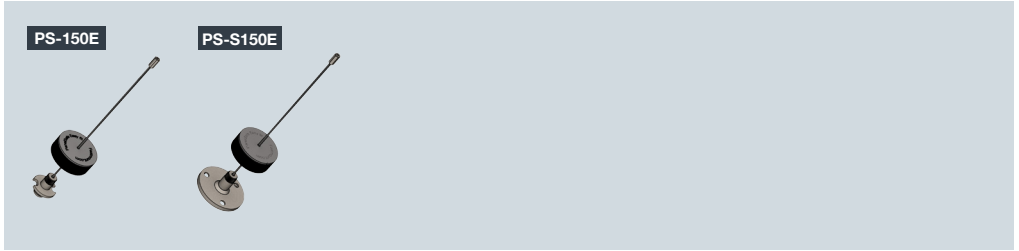
<div style="display: flex; justify-content: space-around;"> <div style="text-align: center;"> <p><b>PS-150E</b></p>  </div> <div style="text-align: center;"> <p><b>PS-S150E</b></p>  </div> </div>	<p><b>USE WITH:</b></p> <p><b>PC</b> Standard Range  <b>LP</b> Low Profile Range  <b>VL</b> Very Low Profile Range  <b>MC</b> Metal Range</p>	<p><b>INSTALL WITH:</b></p> <p>CP-01ST   CT-01   CT-09   CT-07   CT-10</p> 
----------------------------------------------------------------------------------------------------------------------------------------------------------------------------------------------------------------------------------------------------------------------------------------------------------------------------------------------------------------------	-----------------------------------------------------------------------------------------------------------------------------------------------------------	---------------------------------------------------------------------------------------------------------------------------------------------------------------

## INSTALLATION STEP OPTIONS Refer to product sheets PS-150E & PS-S150E for more information

<p><b>1</b> Drill hole through support frame</p> 	<p><b>2</b> Fit PanelSafe in 10Ø to 16.8Ø hole</p>  <p>Glue in place</p>	<p><b>3</b> Self tapping screw in option. Drill panel on center mark 7.5mm deep.</p> 
<p><b>4</b> Screw fit PS-M with CT-10</p>  <p>Use battery drill with clutch set</p> <p>CT-10</p> <p>PS-150E self tapping male</p> <p>Use adhesive for additional strength in soft panels</p>	<p>Surface mount option</p>  <p>FM SuperGroove Adhesive to glue PS-S150E surface mount onto panel</p>	
<p><b>6</b> Completed installation</p>  <p>Surface mount with PS-S150E</p> <p>Drill to 16.8Ø with CT-07</p> <p>4</p>		 <p>Screws in</p> <p>Self tapping with PS-150E male</p>

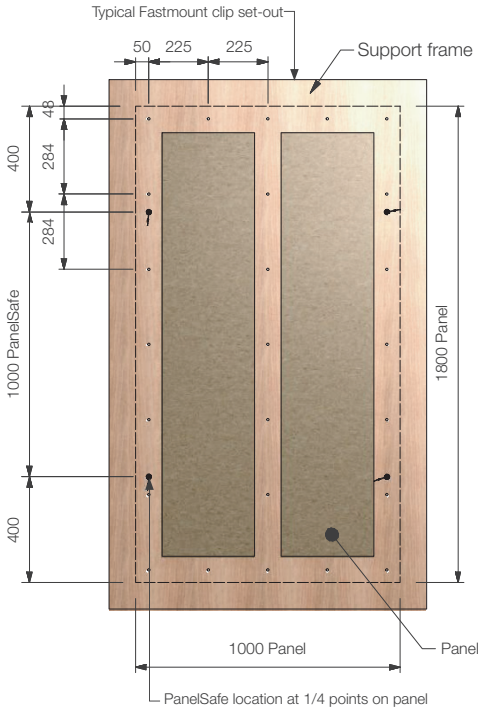
# PS-150E + PS-S150E PanelSafe Easy Fit Restraint System

(page 2 of 2)



## INSTALLATION STEP OPTIONS

- A** Plan view of panel from above with 4 x PanelSafe  
Larger or more flexible panels may require extra PanelSafes for correct support. Each PanelSafe has a static load of 150kgs and a drop load of 10kgs.



- B** End view with panel down



- C** Plan view of small panel from above with 3 x PanelSafe

